

**DESCRIPTION:**

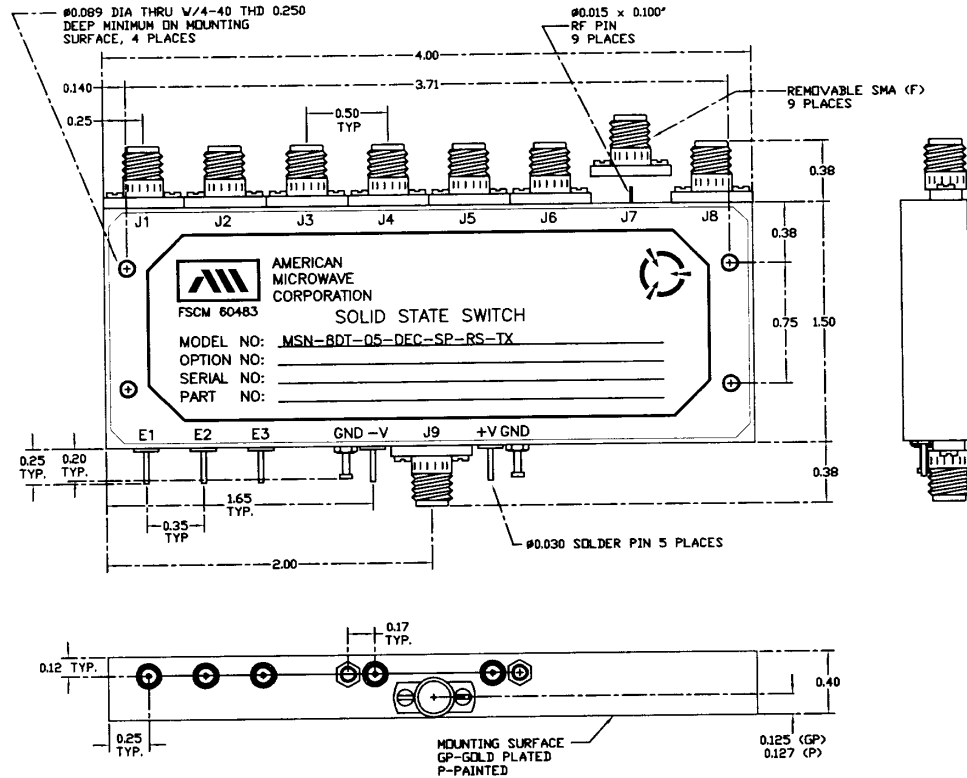
AMC MODEL NUMBER MSN-8DT-05-DEC-SP-RS-TX IS A ABSORPTIVE/NON-REFLECTIVE SINGLE POLE EIGHT THROW SWITCH MODULE WITH LOW INSERTION LOSS. DESIGNED FOR THE 200 MHZ TO 2 GHZ FREQUENCY RANGE.

REV. NO.		DESCRIPTION	DATE	APPROVED
ZONE	REV.	ORIGINAL RELEASE, JOB# 80242-2E	10/29/09	

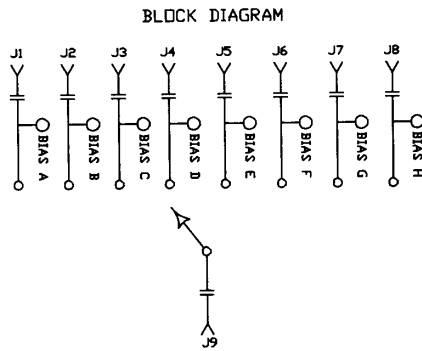
**SPECIFICATIONS:**

- FREQUENCY: 200 MHz TO 2 GHz
- INSERTION LOSS: 1.5 dB MAXIMUM
- ISOLATION: 60 dB MINIMUM
- VSWR: ABSORPTIVE IN/OUT: 2.0:1  
ABSORPTIVE OUT/OFF: 2.0:1
- SPEED: RISE: 15ns MAXIMUM  
FALL: 15ns MAXIMUM  
DELAY ON: 100ns MAXIMUM  
DELAY OFF: 100ns MAXIMUM
- POWER INPUT: 30 dBm MINIMUM
- CONTROL: TTL LOGIC "0"=ON "1"=OFF
- POWER SUPPLY: +5V @ 400 mA MAXIMUM  
-12V @ 100 mA MAXIMUM

**MECHANICAL OUTLINE**



INPUTS			PORT ON
E1	E2	E3	PORT ON
L	L	L	J1
H	L	L	J2
L	H	L	J3
H	H	L	J4
L	L	H	J5
H	L	H	J6
L	H	H	J7
H	H	H	J8



**ENVIRONMENTAL RATINGS:**

- TEMPERATURE: -55°C TO +85°C (OPERATING)  
-65°C TO +125°C (STORAGE)
- HUMIDITY: MIL-STD-202F, METHOD 103B COND. B
- SHOCK: MIL-STD-202F, METHOD 213B COND. B
- VIBRATION: MIL-STD-202F, METHOD 204D COND. B
- ALTITUDE: MIL-STD-202F, METHOD 105C COND. B
- TEMPERATURE CYCLE: MIL-STD-202F, METHOD 107D COND. A

ALL DIMENSIONS ARE IN INCHES  
TOLERANCES:  
X.XX ±0.020  
X.XXX ±0.010

NOTE: THE ABOVE SPECIFICATIONS ARE SUBJECT TO CHANGE OR REVISION

**CONFIDENTIAL AND PROPRIETARY**

PART NO.		AMERICAN MICROWAVE CORPORATION FREDERICK, MARYLAND	
APPROVALS	DATE	TITLE	
DRAWN <i>WBCS</i>	10/29/09	PRODUCT FEATURE MSN-8DT-05-DEC-SP-RS-TX NON-REFLECTIVE/ABSORPTIVE SOLID STATE SWITCH	
CHECKED		SIZE	REV.
ISSUED		FSCM NO. A 60483	100-6809
SCALE 1:1		DWG NO.	SHEET 1 of 3